



INSTRUCTIONS FOR USE TWEHA'S BONDING SYSTEMS

version number 3.2 dated June 1, 2016



Tweha's bonding systems are premium-grade, high-performance, moisture-cured, one-component SMP-based elastic adhesive. Cure to a tough, durable, flexible consistency with exceptional shear and tensile strength, free of solvents, isocyanates and organic tin compounds.

Characteristics

- Rock hard, durable elastic adhesive that hardens quickly under the influence of atmospheric humidity.
- Unique composition so no adhesive primer is required.
- An optimum stress distribution to panels up to a diagonal of 4.5 m¹.
- Quality product with KOMO Quality Certificate.
- Meets fire class B-s1,d0 to EN 13501-1.
- Unprecedented design possibilities leading to simplification of the total construction.
- Resistant to moisture and weather influences, maintenance-free.
- Can be used almost year round, lower temperatures no impediment.
- Considerable increase of labor productivity.
- Durable.

Working details and design

This bonding system is meant for ventilated façade constructions. Ventilation is stipulated!
Between insulation and cladding an air space (cavity) of > 20 mm is required:

- This avoids large temperature differences in front of and behind the panels.
- Condensation and penetrating moisture are evaporated due to the ventilation.
- This prevents the formation of mould, decay or corrosion of the supporting structure or its components and the insulation material does not become damp (thermal insulating capacity is retained).
- Do not place the metal trim directly against the façade paneling! Use the Tweha roof gutter clip!
- Consult the instructions of the panel manufacturer. Tweha therefore advises that the upper and lower side of the façade surface be provided with the following ventilation opening: minimum 100 cm² / m¹.



All specifications, recommendations and technical data are based on laboratory tests under optimum conditions resp. on practical experience. They have been compiled most carefully. Nevertheless, a claim cannot be derived from them. In view of the wide range and variability of substrates, we would advise that our product should be tested by the user to establish suitability for its intended application. The user bears the only responsibility for non-appropriate or other than specified applications.

We refer to our general Conditions, technical changes reserved. Contents examined and released by Tweha Professional BV, Cuserstraat 93, floor 2 and 3th, 1081 CN Amsterdam, The Netherlands.
Customer Response Centre: +31 88 999 81 81 or info@tweha.com.

INSTRUCTIONS FOR USE TWEHA'S BONDING SYSTEMS

version number 3.2 dated June 1, 2016

Weight of the façade panels

Loads due to the weight of the panels itself are not significant when considering creep or ultimate strength. In horizontal applications such as ceilings or canopies the distance between the support rails must be reduced to 50% of the distance used in vertical application. The main support rails should be mounted square to the facade support rails. It will also be necessary to temporarily support the panels until the adhesive is fully cured.

Wind loads

Wind loads should be determined through the applicable Regulation.
For Europe wind suction calculation according to EN 1991-1-4.

Fire behaviour

Tests performed according to EN 13823 conclude that Tweha's Adhesives meet the fire class B-s1,d0 as described in EN 13501-1.

Durability

To ensure sustainable security, we recommend bonding on an (anodized) aluminum substructure. The use of a metal (aluminum) supporting structure is a more sustainable application than the use of a wooden supporting structure. The applicator has to meet the standards according to BRL 4104, besides working according to these Instructions for use by Tweha.

Maximum panel size

The elastic properties of Tweha's Bonding Systems prevent possible deformation of the façade panels due to thermal expansion. This means that façade panels with a maximum diagonal can be bonded with PanelMate.

Minimum joint width

Follow the guideline of the panel manufacturer. From an aesthetic point of view, we recommend a joint of 8 mm.

Working conditions

Possible working temperature of Tweha's Bonding Systems is between -20°C and + 40°C. The surfaces to be bonded must be clean, dry, and free from dust and grease. During the bonding process the relative humidity must not be higher than 90% and the substrate temperature must be 3°C higher than the dew point. Note: condensation is something different than a moist surface. A moist surface is due to the surface tension, while condensation means that the moisture is on the surface as water droplets. In the event of diverging conditions we advise you to contact our helpdesk or check out at our app TwehaCalc.

Supporting wall structure

The construction of the supporting wall structure is the essential element when bonding façade cladding. The supporting structure transmits the occurring loads to the supporting wall structure of load bearing brickwork, concrete, wood etc. This supporting structure is often executed in aluminum, wood or a combination of these materials and should be tested to valid national guidelines. Fixing structures need to be installed according to manufacturers' and suppliers' instructions.

- Determine the exact dimensions of the façade surface with regard to gridlines and levels.
- Check the supporting wall structure (concrete: pressure or tension zone, or brickwork).

Aluminum supporting structure EN-AW-6060 or 6063

- Attach the supporting point and sliding point upright to each other using the designated materials.
- Cut the insulating layer where a load bearing or restraint support will be fixed (this reduces the possibility of insulation leaks!)
- In the support the vertical elements, L-, T- or sleeve profiles are connected which sustain the cladding panels. Note: per length only one fixed anchorage-point and multiple sliding/restraint anchorage-points.
- Check the supporting structures regarding flatness and strength! The support centre-to-centre distance depends on the bending tensile strength of the panel, thickness and the panel manufacturers' instructions. Every panel has to be bonded onto a minimum of two vertical support profiles.
- The number of fixing points per m² of the supporting structure is determined by the weight of the façade panel and the wind load/ tension to the façade panels.
- The panel can be bonded directly onto the aluminum L- or T- profiles after the Tweha Cleaner has evaporated.

INSTRUCTIONS FOR USE TWEHA'S BONDING SYSTEMS

version number 3.2 dated June 1, 2016

- Note: if the aluminum profiles are provided with a coating, should be determined whether both the adhesion of the coating on the aluminum as the adhesion of the adhesive on the coating is sufficient.

Wooden supporting structure

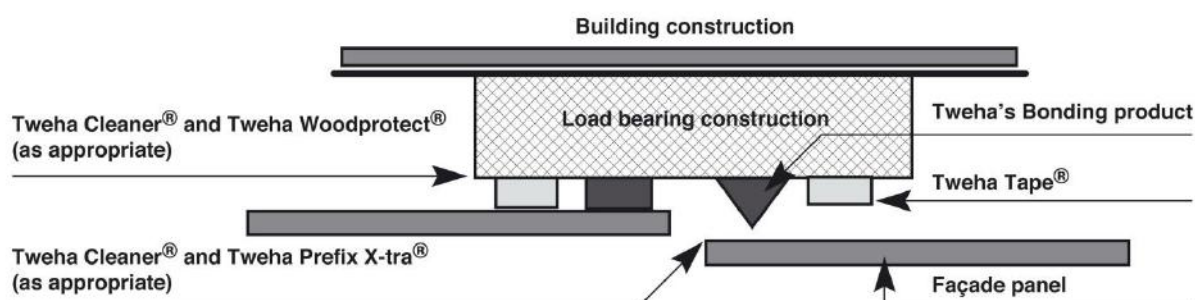
- When using a double-layer supporting structure the basic wooden structure, made of horizontally placed planed beams, they must be fixed using static tested angle brackets on top and bottom.
- Place insulation and if desired damp proof foil according to the manufacturer's instructions.
- Apply the vertical battens. The minimal thickness of the vertical supporting batten, determined by calculation, is 19 mm.

Determine the minimal thickness of the vertical supporting batten according to the applicable national guidelines.

- When bonding onto (impregnated) wood always use Tweha WoodProtect for preservation. Please ask Tweha for more information. Wood is a natural product and therefore has various changing components. For that reason, an adhesion test has to be performed.
- The wood must be dry (humidity percentage < 18%, drying class 2, air dried).
- Check the supporting structures regarding flatness and strength!
- For bonding onto other types of (preserved) wood: consult our helpdesk.

Basic wooden structure with black anodized aluminum Z-profile EN-AW-6060 or 6063

- When using a double-layer fixing structure the basic wooden structure, made of horizontally placed planed beams, must be fixed using static tested angle brackets on top and bottom.
- Place insulation and if desired damp proof foil according to the manufacturer's instructions.
- Apply the Z-profile. Note: one fixed anchorage and multiple restraint points by means of screws through slotted holes per length.
- Check the supporting structures regarding flatness and strength!
- The panel can be bonded directly onto the Z-profile after the Tweha Cleaner has evaporated.



Application bonding system

Tweha's Bonding System	elastic adhesive
Tweha Cleaner	universal cleaner and degreaser
Tweha Tape	double sided self-adhesive foam tape for the first (temporary) bonding of the cladding thickness 3 mm, width 12 mm
Tweha Prefix X-tra	surface improver for synthetic fibre cement and/or porous materials
Tweha WoodProtect	preserving material for (impregnated) wood battens

Needed quantities, output by centre-to-centre distance of battens of 500 mm

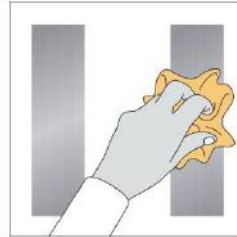
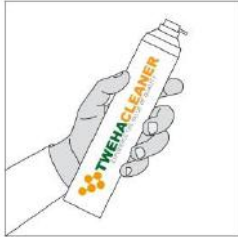
Tweha's Bonding System	290 ml cartridge	± 2,5 m ² / 7,5 m ¹ (based on a V-incision of 9x9 mm)
	300 ml sausage	± 2,5 m ² / 7,5 m ¹ (based on a V-incision of 9x9 mm)
	600 ml sausage	± 5 m ² / 15 m ¹ (based on a V-incision of 9x9 mm)
Tweha Cleaner	500 ml aerosol	± 20 m ²
	5 litre can	± 200 m ²
Tweha Tape	roll 25 m, 12x3 mm (w*t)	± 8 m ²
Tweha Prefix X-tra X-tra	can 1 kg (component A+B)	± 100 m ¹ (based on 100 mm wide appl. surface)
Tweha WoodProtect	can 1 liter	± 300 m ¹ (based on batten 19 x 45 mm)

INSTRUCTIONS FOR USE TWEHA'S BONDING SYSTEMS

version number 3.2 dated June 1, 2016

Required width of the supporting structure

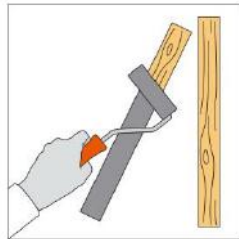
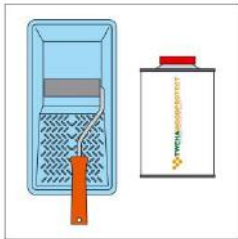
End battens and angle joints:	min. 70 mm.
In between battens/profiles:	min. 45 mm.
When open joints or joint profile applicable:	min. 95 mm.



Treatment supporting structure: aluminum EN-AW-6060 of 6063

Aluminum, anodized or not, can be bonded onto directly.

- The surfaces to be bonded must be dry, dust- and grease free. To achieve this use Tweha Cleaner.
- Cover the front of the metal base construction with Tweha Cleaner and wipe off in one direction, preferably using either plain steel wool, Brillo pads or Scotch-Brite by hand, with a hand pad block or similar. Be sure to dry the part before bonding.
- Allow the Tweha Cleaner to evaporate fully for 10 minutes.
- Ensure that the treated adhesive surface is fully protected against dirt.

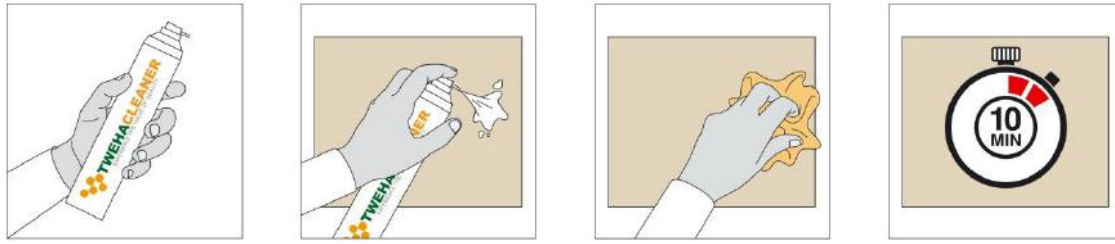


Treatment supporting structure: untreated pinewood or preserved wood

- In case of an exterior application, the untreated pinewood has to be protected all round with Tweha WoodProtect.
- Preserved wood (creosoted, celcurised or improsol-treated as per NEN 3251/ BRL0601) has to be pre-treated on the bondable side with Tweha WoodProtect.
- The vertical frame construction or battens must be dry (wood moisture percentage < 18%, drying class 2 (NEN-EN 5461), air dried), dust- and grease free.
- Before being attached untreated white pinewood must be treated with the wood preservation material Tweha WoodProtect.
- For the application of Tweha WoodProtect use a paint tray with a clean, fine structure roller. Shake Tweha WoodProtect thoroughly before use.
- Apply Tweha WoodProtect in one thin, full-cover layer (never more!).
- Do not use Tweha WoodProtect on painted wood, multiplex, aluminum or other types of metal.
- Tweha WoodProtect is not a primer and can be pre-processed. Bonding of the façade panel can take place 2 hours after applying the Tweha WoodProtect.

INSTRUCTIONS FOR USE TWEHA'S BONDING SYSTEMS

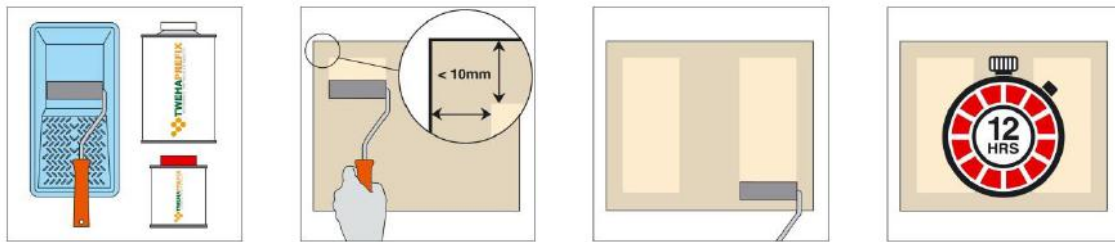
version number 3.2 dated June 1, 2016



Degreasing the cladding slab with Tweha Cleaner

The cladding slab must be dry, clean, and free from dust and grease.

- Cover the back of the façade panel with Tweha Cleaner and wipe off in one direction, preferably using a paper tissue or a clean lint free cloth.
- Allow the Tweha-Cleaner to evaporate fully for 10 minutes.
- Ensure that the treated adhesive surface is fully protected against dirt.
- Tweha Cleaner is not an aggressive degreaser and using it has no appreciable effect on the surface of the façade panels. Besides degreasing the surfaces to be bonded, Tweha Cleaner can also be used to remove adhesive residue (before it is cured).



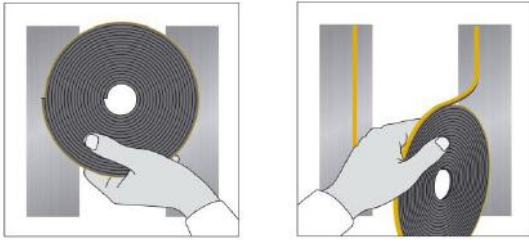
Pre-treatment of synthetic fibre cement slabs or other porous materials such as some types of natural stone with Tweha Prefix X-tra

For optimum bonding, pre-treatment with Tweha Prefix X-tra surface improver is necessary.

- Before treatment the façade panel must be clean, dry, and free from grease. To achieve this use Tweha Cleaner.
- Add the full contents of Tweha Prefix X-tra component B (hardener) to the full contents of Tweha Prefix X-tra component A (resin). Mix both components well for minimum 2 minutes with a stirrer until the components are evenly mixed. Then pour the substance over into a paint tray to check if the components are completely mixed. Do not add water or other products. Note: do not subdivide the supplied contents of the package!
- Apply Tweha Prefix X-tra vertically to the area to be bonded (± 10 cm wide) with a brush or fine structure paint roller in one thin, but full-cover layer.
- Apply and process the Tweha Prefix X-tra within 30 minutes! Note: bonding of the façade panels is only possible after the prescribed drying time of minimum 12 hours.
- Ensure that the treated adhesive surface is fully protected against dirt.

INSTRUCTIONS FOR USE TWEHA'S BONDING SYSTEMS

version number 3.2 dated June 1, 2016



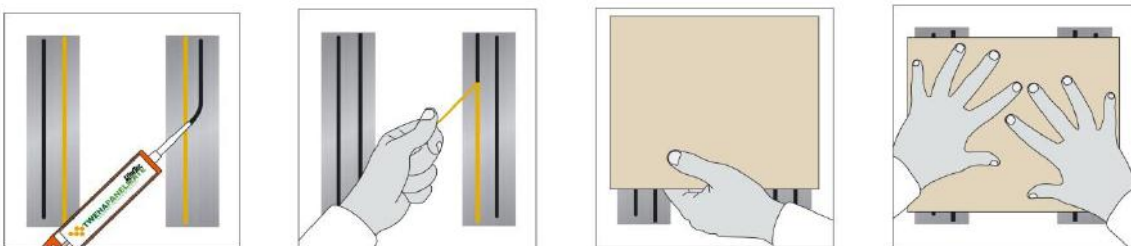
Application of Tweha Tape

- Tweha Tape provides the initial bond and guarantees the minimum required glue bead thickness of 3 mm.
- Apply the Tweha Tape after complete drying of the Tweha Cleaner and-or Tweha WoodProtect.
- Position the Tweha Tape vertically in an unbroken strip on the vertical frame construction of the (pre-treated) wood or cleaned metal. Then press down the Tweha Tape firmly and cut with a sharp knife. For the correct positioning and the length of the Tweha Tape take into account the size of the support posts, the dimensions of the façade panel and the necessary space for the glue bead. Remove the protective layer only after applying the glue bead!



Apply glue bead

- To obtain the prescribed glue width/thickness of minimum 12 x 3 mm use the supplied nozzle or otherwise cut a standard nozzle in an V-shape of minimum 8 x 8 mm. The V-shape is necessary to prevent air bubbles being trapped and unnecessary loss of adhesion.
- Then cut open the cartridge or sausage, fit the nozzle and by using a glue gun apply the glue bead.
- Apply the adhesive 10 mm away from to the Tweha Tape in an unbroken required V-shape bead.
- Place the façade panel within 10 minutes, otherwise a skin will form on the adhesive!



Attach façade panel

- Check the supporting structures regarding flatness and strength! The support centre-to-centre distance depends on the bending and tensile strength of the type of panel, thickness and the panel manufacturers' instructions. Every slab has to be bonded onto a minimum of two vertical battens or aluminum profiles.
- After the prescribed drying time of Tweha Cleaner and, if applicable, Tweha-Prefix X-tra the façade panel can be applied.
- Remove the protective layer from the Tweha Tape.
- Press the cleaned side of the panel gently against the adhesive to enable subsequent correction. Press down the panel firmly when it is correctly positioned, so that the façade panel makes good contact with the Tweha Tape.
- To achieve an optimum ventilation, use the Tweha RoofGutter Clip!

INSTRUCTIONS FOR USE TWEHA'S BONDING SYSTEMS

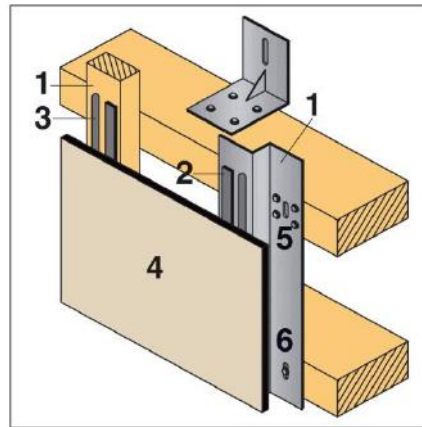
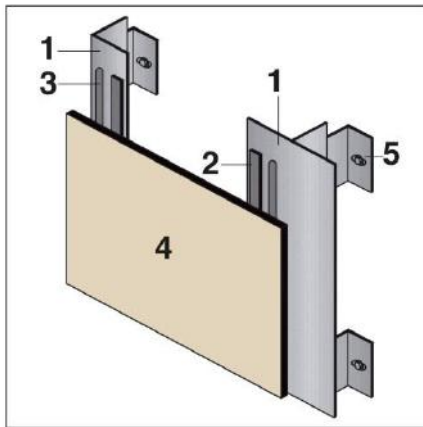
version number 3.2 dated June 1, 2016

Guarantee

Tweha guarantees that their bonding systems meets the technical specifications as described in the relevant technical information sheets.

Primary conditions:

- The applier has to meet and follow the instructions for use from Tweha and the guidelines from the panel manufacturer.
- The products are used as a system.
- Processing is carried out strictly in conformity with the processing guidelines, unless it can be reasonably assumed that in a particular case this is not (fully) justified: in this case contact our helpdesk and always ask for a written confirmation of an application method which deviates from the guidelines!



Explanation of numbers

- 1 Wood, Aluminum L-, T-profile or Z-profile
- 2 Tweha Tape
- 3 Tweha's Adhesive
- 4 Façade cladding
- 5 Supporting point
- 6 Sliding point

	Tweha's Bonding System	Tweha Tape	Tweha Cleaner	Tweha Woodprotect	Tweha PreFix
base	silane modified polymer	double sided adhesive tape	cleaner and degreaser	protect non preserved wood	surface improver
colour	black / grey	grey	transparent	black	transparent
working temperature	-20 to +40° (-4 to +392 °F)	-20 to +40° (-4 to +392 °F)	-20 to +40° (-4 to +392 °F)	-20 to +40° (-4 to +392 °F)	-20 to +40° (-4 to +392 °F)
type of surface	every surface	every surface	every surface	non-preserved wood	synthetic fiber cement or other porous material
condition os surface	clean, dry and free of grease	clean, dry and free of grease	n.a.	clean, dry and free of grease	clean, dry and free of grease
drying time	2,5 to 3 mm/24 hrs	n.a.	5-10 minutes to evaporate	2 hrs.	12 hrs.
packaging	290 ml cartridge	roll a 25 mtr	aerosol 500 ml	can 1 ltr.	can 1 kg.
	300 ml sausage		can 5 ltr.		
	600 ml sausage				
shelf life	18 months*	12 months*	12 months*	12 months*	12 months*
details	apply within 15 minutes	none	none	woodmoisture < 18%	apply within 30 minutes

* in original closed and undamaged packaging stored at a cool and dry place.

For detailed information consult the material safety data sheets on www.tweha.nl

For questions please contact our helpdesk +31 88 999 81 81

INSTRUCTIONS FOR USE TWEHA'S BONDING SYSTEMS

version number 3.2 dated June 1, 2016

TESTED AND APPROVED CLADDING MATERIALS

	TWEHA Panelmate	TWEHA StoneMate	TWEHA GlassMate	TWEHA MetalMate	TWEHA SolarMate	TWEHA Tape	TWEHA Cleaner+	TWEHA Prefix X-tra	TWEHA WoodProtect
Abet Laminati	✓					✓	✓		
Armalith	✓					✓	✓		
Cembrit Metro	✓					✓	✓	✓	
Cembrit Planatural	✓					✓	✓	✓	
Cembrit RAW	✓					✓	✓	✓	
Cembrit Zenit	✓					✓	✓	✓	
CemPanel	✓					✓	✓	✓	
Cetris X-TRA	✓					✓	✓	✓	
CompactNL	✓					✓	✓		
Dekoriet Extroriet	✓					✓	✓		
Eternit Carat	✓					✓	✓	✓	
Eternit Eflex	✓					✓	✓	✓	
Eternit Equitone Natura	✓					✓	✓	✓	
Eternit Equitone Natura Pro	✓					✓	✓	✓	
Eternit Equitone Pictura	✓					✓	✓	✓	
Eternit Equitone Tectiva	✓					✓	✓	✓	
Eternit Equitone Textura	✓					✓	✓	✓	
Eternit Glasal	✓					✓	✓	✓	
Eternit Multiboard	✓					✓	✓	✓	
Eternit Sandwichpaneel	✓					✓	✓	✓	
Eternit Sidings	✓					✓	✓	✓	
Fibre C	✓					✓	✓		
Forex	✓					✓	✓		
Fundermax	✓					✓	✓		
Glasvezelbeton	✓					✓	✓		
Goma Blank	✓					✓	✓		
Goma Gecoat	✓					✓	✓		
Gyproc	✓					✓	✓		
Hardi Trim	✓					✓	✓		
HardiBacker500	✓					✓	✓		
HardiPlank	✓					✓	✓		
HIT	✓					✓	✓		
Holonite	✓					✓	✓		
Keralit	✓					✓	✓		
Ki-Kern	✓					✓	✓		
KME Tecu-Bond	✓					✓	✓		
Lafarge	✓					✓	✓		
Lamicolor	✓					✓	✓		
LTM Color	✓					✓	✓	✓	
LTM Board	✓					✓	✓	✓	
LTM Cynop	✓					✓	✓	✓	
Mawipex	✓					✓	✓		
OSB	✓					✓	✓		
Perstorp PSM	✓					✓	✓		
Plastica Massief	✓					✓	✓		
Polyesterbeton	✓					✓	✓		
Prodema BAQ+	✓					✓	✓		
Promat Gipsblok	✓					✓	✓		
Promat vezelplaat	✓					✓	✓		
Puricelli	✓					✓	✓		
Resopal Resoplan	✓					✓	✓		
Rockpanel	✓					✓	✓		
Stellacwood	✓					✓	✓		
Steni	✓					✓	✓		
SVK Decomat	✓					✓	✓		
SVK Ornimat	✓					✓	✓		
Swissfiber	✓					✓	✓		

ONLY APPLICABLE WHEN USING WOODEN SUPPORT

	TWEHA Panelmate	TWEHA StoneMate	TWEHA GlassMate	TWEHA MetalMate	TWEHA SolarMate	TWEHA Tape	TWEHA Cleaner+	TWEHA Prefix X-tra	TWEHA WoodProtect
Trespa Meteon	✓					✓	✓		
Tubonit	✓					✓	✓	✓	
Twinson Turf	✓					✓	✓		
Unikern	✓					✓	✓		
Werzalit Colorplan	✓					✓	✓		
AluTechbond				✓		✓	✓		
Alucobond				✓		✓	✓		
Alucopal				✓		✓	✓		
Alumierlo				✓		✓	✓		
Anthra Zink				✓		✓	✓		
Corus Colorplaat				✓		✓	✓		
Corus Falzink				✓		✓	✓		
Etalbond				✓		✓	✓		
Garfield Aluminum				✓		✓	✓		
Galvalume				✓		✓	✓		
Gutbond				✓		✓	✓		
Kingspan Damwand				✓		✓	✓		
Nova +AFP en -AFP				✓		✓	✓		
Nova Noir + Walsblank				✓		✓	✓		
Nova Structure				✓		✓	✓		
Plastica Alumassief				✓		✓	✓		
Platinox Pigemento				✓		✓	✓		
Platinox Rhein-zink				✓		✓	✓		
Platinox VM Quartz-zinc				✓		✓	✓		
Stackbond				✓		✓	✓		
Quartz Zink				✓		✓	✓		
Reynobond				✓		✓	✓		
Rhein Zink				✓		✓	✓		
Roestvaststaal				✓		✓	✓		
Zinc Nova				✓		✓	✓		
Zinc Plus				✓		✓	✓		
Calvasina Ultra-Lite		✓				✓	✓		
Coarse ceramics		✓				✓	✓		
Coarse rock *		✓				✓	✓		
Fine ceramics, for example		✓				✓	✓		
Buchtal, Caesar, Mirage,		✓				✓	✓		
Iris, Marazzi and others		✓				✓	✓		
Kerlite plus		✓				✓	✓		
Laminam Ceramiek		✓				✓	✓		
Metamorphic rock *		✓				✓	✓		
Micro beton		✓				✓	✓		
Mosa		✓				✓	✓		
NBK Baquette		✓				✓	✓		
Rieder Faserbeton		✓				✓	✓		
Rock-Face		✓				✓	✓		
Sedimentary rock *		✓				✓	✓		
Neolith The Size		✓				✓	✓		
Solarpanels						✓	✓	✓	
DelogColor		✓				✓	✓		
Enamelled Glass		✓				✓	✓		
Fusion Glass		✓				✓	✓		
Tempered Glass		✓				✓	✓		

ONLY APPLICABLE WHEN USING WOODEN SUPPORT

* = always check adhesion with quick knife test!